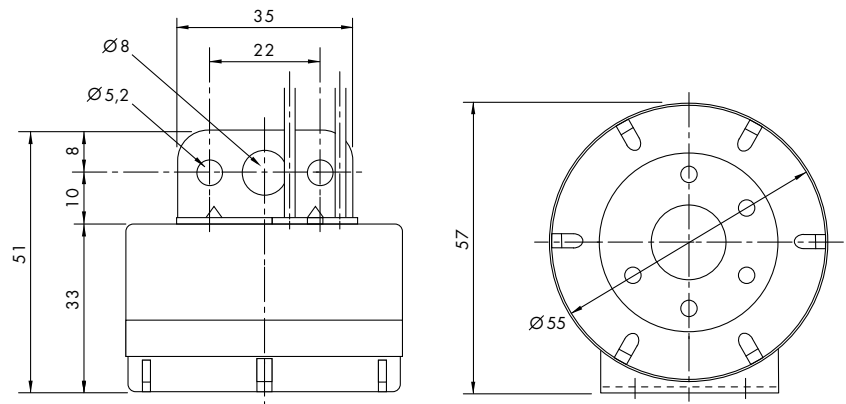


### PIEZOSIRENE PSW.66012-107M.P. | PIEZOSIREN PSW.66012-107M.P.

- Hohe Lebensdauer  
- High durability
- Hohe Zuverlässigkeit  
- High reliability
- Keine Hochfrequenzstörung  
- No interferences



PSW.66012-107M.P



#### SPEZIFIKATIONEN / SPECIFICATIONS

MODEL	PSW.66012-107M.P
SPL / 100cm	107dB
RESONANT FREQUENCY	2800Hz
CURRENT CONSUMPTION	250mA
RATED VOLTAGE	12V
OPERATING VOLTAGE	9 ~ 15VDC
TONE	Pulse
IP RATING	IP65
OPERATING TEMPERATURE	-30° ~ +80°C
STORAGE TEMPERATURE	-30° ~ +90°C
TERMINAL	Wire Red = +; Black = -