

**PIEZOSIRENE PSW.66024-107M.P. |
PIEZOSIREN PSW.66024-107M.P.**

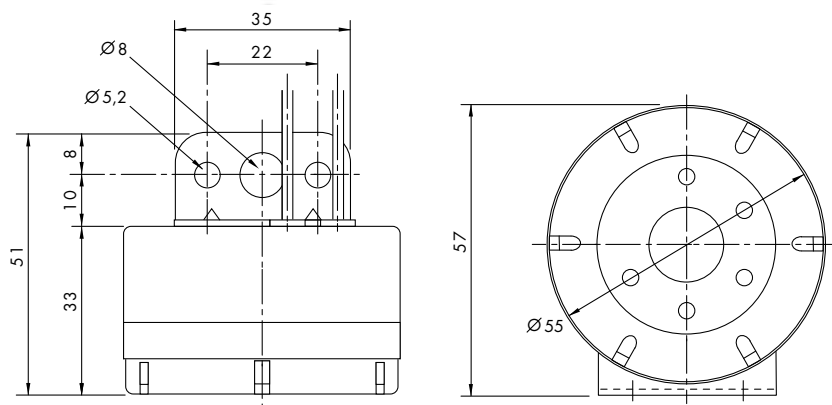


- Hohe Lebensdauer
- High durability

- Hohe Zuverlässigkeit
- High reliability

- Keine Hochfrequenzstörung
- No interferences

PSW.66024-107M.P



SPEZIFIKATIONEN / SPECIFICATIONS

MODEL	PSW.66024-107M.P
SPL / 100cm	107dB
RESONANT FREQUENCY	2800Hz
CURRENT CONSUMPTION	220mA
RATED VOLTAGE	24V
OPERATING VOLTAGE	18 ~ 30VDC
TONE	Pulse
IP RATING	IP65
OPERATING TEMPERATURE	-30° ~ +80°C
STORAGE TEMPERATURE	-30° ~ +90°C
TERMINAL	Wire Red = +; Black = -