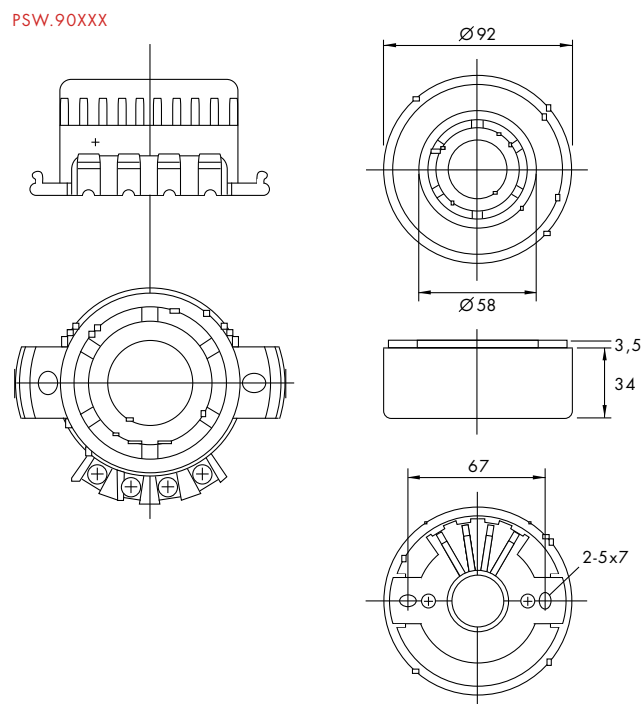


SIRENE PSW.90XXX | SOUNDER PSW.90XXX

- Hohe Lebensdauer
- High durability
- Geringe Stromaufnahme
- Low current consumption
- Hohe Zuverlässigkeit
- High reliability
- Keine Funkenbildung
- No spark formation
- Keine Hochfrequenzstörung
- No interferences
- Durchdringender, oberwellenhaltiger Klang
- High sound output
- Einfache Montage
- Simple installation



SPEZIFIKATIONEN / SPECIFICATIONS

MODEL	PSW.90030	PSW.90080	PSW.90120
SPL @30cm	110 ± 3dB	110 ± 5dB	110 ± 3dB
RESONANT FREQUENCY	2.7 ± 0.5 kHz	2.7 ± 0.5 kHz	2.9 ± 0.5 kHz
CURRENT CONSUMPTION	<35mA @12VDC	<65mA @50VDC	<35mA @110VDC
RATED VOLTAGE	12VDC	50VDC	110VDC
OPERATING VOLTAGE	3 ~ 30VDC	30 ~ 80VDC	80 ~ 120VDC
TONE	Constant, Fast- & Pulsetone		
IP RATING	IP44		
OPERATING TEMPERATURE	-20° ~ +70°C		
STORAGE TEMPERATURE	-30° ~ +80°C		
TERMINAL	Klemme / Wire		
HOUSING MATERIAL	PBT		
COLOUR	Creme		