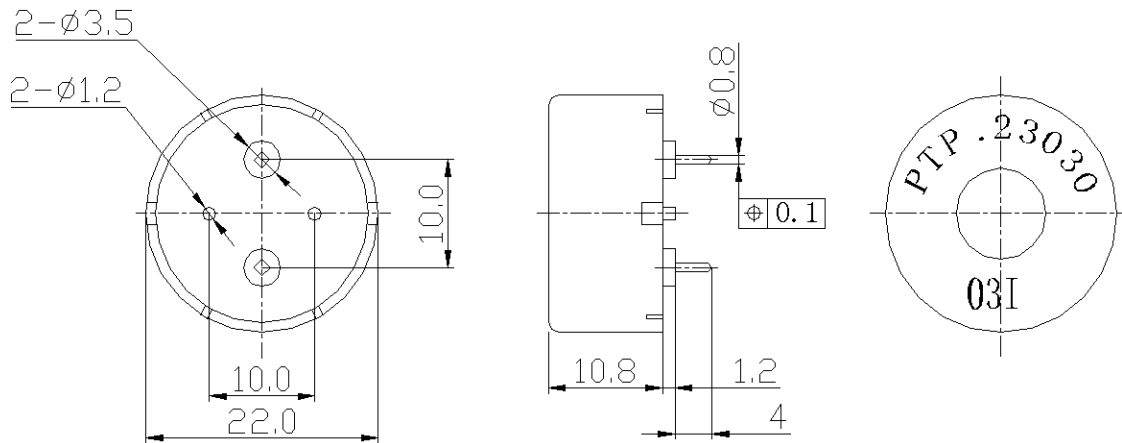


● *Technical terms*

<i>Type</i>		<i>PTP.23030.BF</i>
<i>Operating Voltage</i>	<i>(Vp-p)</i>	<i>1~30</i>
★ <i>S.P.L at 10cm</i>	<i>(dB)</i>	<i>≥85</i>
<i>Resonant Frequency</i>	<i>(Hz)</i>	<i>4000±500</i>
<i>Capacitance at 120Hz 25 °C</i>	<i>(pF)</i>	<i>14000±30%</i>
◆ <i>Current</i>	<i>(mA)</i>	<i>≤1.0</i>
<i>Operating Temp.</i>	<i>(°C)</i>	<i>-20~+70</i>
<i>Storage Temp.</i>	<i>(°C)</i>	<i>-30~+80</i>

★ *Value at 4000Hz/3Vp-p, square wave*

This part is RoHS compliant



Tolerance: ± 0.5

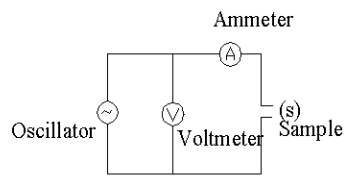
Materials

	Material
Case	MPPO
Cover	PBT

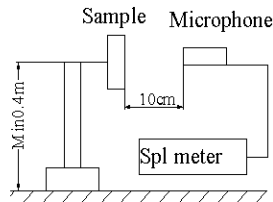
				Date	07.1.18	<i>Specification for piezo-buzzer PTP.23030.BF</i>
				Designed by	Xun Honghua	
				Checked by	Ju Huashan	
				Checked by	<i>E. Mpouras</i>	
				<i>Division DR</i>		<i>070118.1</i>
				<i>COMPRO Electronic</i>		
				<i>GmbH</i>		
issue	Note	Date	Name			Page 1/5

Test Method:

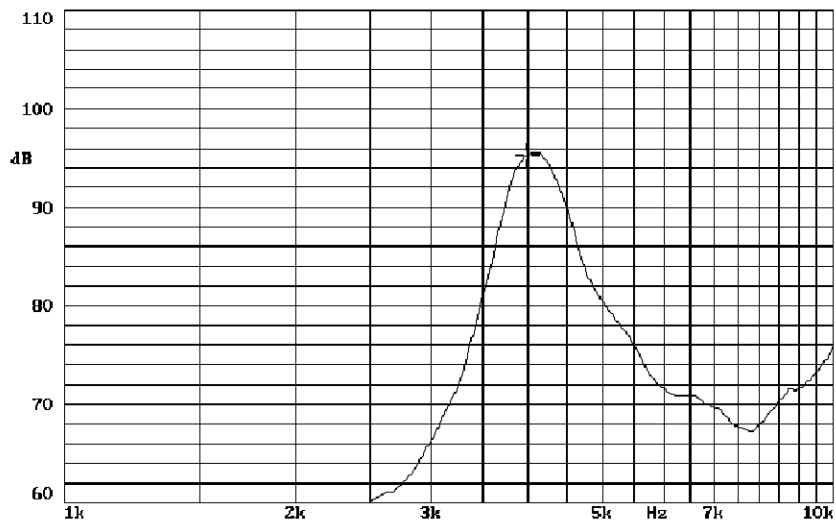
Standard Circuit



Standard test Fixture



Curve:



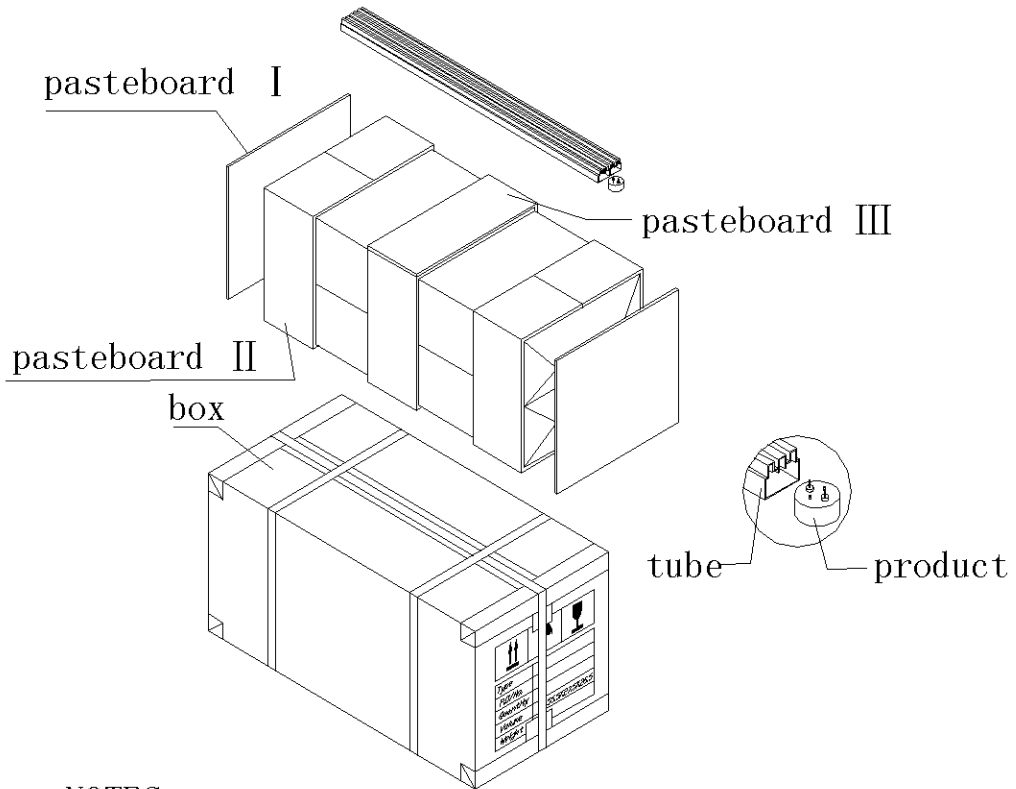
				Date	07.1.18	Specification for piezo-buzzer PTP.23030.BF
				Designed by	Xun Honghua	
				Checked by	Ju Huashan	
				Checked by	E. Mpouras	
				Division DR		070118.1
				Compro Electronic		
				GmbH		
issue	Note	Date	Name			Page 2/5

Reliability test

Items		Specifications	Conditions
1	High temp.storage life	The part shall be capable of withstanding a storage temperature of +80±2°C for 240hours.	After the test the part shall meet specifications without any degradation in appearance and performance except SPL. SPL shall be initial value±10dB
2	Low temp.storage life	The part shall be capable of withstanding a storage temperature of -30±2°C for 240hours.	
3	Temperature cycle	total 5 cycles 1 cycle consisting of -30±2°C 30min +20±5°C 15min +80±2°C 30min +20±5°C 15min	
4	Humidity test	+40±2°C,90~95%RH,240hours	
5	Shock	Sounder shall be measured after being applied shock(980m/s ²)for each three mutually perpendicular directions to each of 3 times by half sine wave.	
6	Vibration	The part shall be subjected to a vibration cycle of 10Hz to 55Hz to 10Hz in a period of 1 minute. Total peak amplitude shall be 1.5mm.The vibration test shall consist of 2 hours per plane in each three mutually perpendicular planes for a total time of 6 hours.	
7	Solderability	The part leads(pins)shall be immersed in molten solder maintained at 250°C±5°C for a period of 3.0±0.5seconds	

				Date	07.1.18	Specification for piezo-buzzer PTP.23030.BF
				Designed by	Xun Honghua	
				Checked by	Ju Huashan	
				Checked by	E.Mpouras	
				Division DR		
				Compro Electronic GmbH		070118.1
issue	Temp.	18.01.2007	Mpouras			
	Note	Date	Name			Page 3/5

Packing



NOTES:

22 pcs per tube,
 100 tubes per box,
 Total 2200 pcs per box,
 Volume: cm 55.5x27.5x26.5

				Date	07.1.18	<i>Specification for piezo-buzzer PTP.23030.1</i>
				Designed by	Xun Honghua	
				Checked by	Ju Huashan	
				Checked by	E. Mpouras	
				<i>Division DR</i>		070118.1
				<u>Compro Electronic GmbH</u>		
issue	Note	Date	Name			Page 4/5

