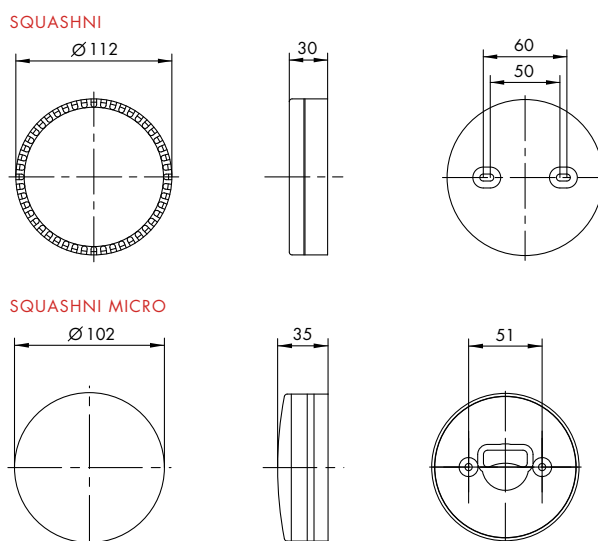


PLATTFORMSIRENE SQUASHNI | SQUASHNI SOUNDER

- Geringe Stromaufnahme
- Low current consumption
- Abdeckung zum Einsatz als Einzelsirene
- Blank cover for use as standalone sounder
- Minimale Installationskosten
- Reduced installation costs
- Montage Plattform für Detektoren
- Fixing platform for detector bases
- VDS Zulassung für Squashni
- VDS approval for Squashni



SPEZIFIKATIONEN / SPECIFICATIONS

MODEL	Squashni	Squashni Micro
NOMINAL VOLTAGE	10 - 28VDC	9 - 30VDC
CURRENT CONSUMPTION (tone dependant)	Between 8 - 35mA	Between 3 - 10mA
SOUND OUTPUT (tone dependant)	Between 67 - 102dB	Between 83 - 97dB
ALARM TONES	32	4
IP RATING	IP23D	IP23D
OPERATING TEMPERATURE	-10°C to +55°C	
COLOURS	Red or White as standard (others available on request)	
CONSTRUCTION	ABS	
APPROVALS	VdS, CNPP & UL	VdS & UL