

EX SOUNDER EX SI 40

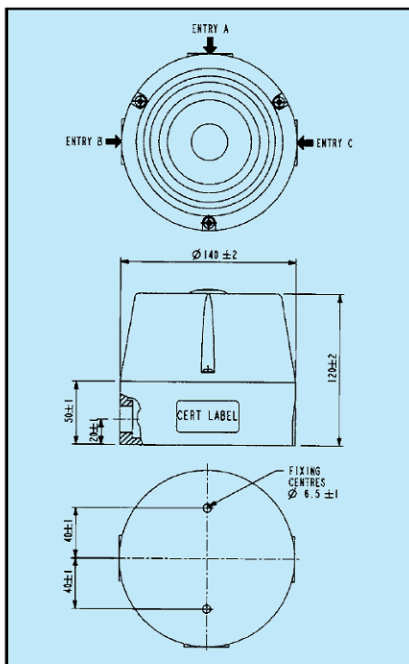


Ex SOUNDER EX SI 40

A high output alarm sounder for use with intrinsically safe circuits. The EX SI 40 has been designed for maximum acoustic efficiency and low current consumption combined with very high levels of weather resistance. A second alarm tone can be selected by reversing the supply polarity.

As the product is intrinsically safe it must be used with an appropriate barrier or isolator.

- Intrinsically safe certification
- ATEX compliant
- IP 65 Protection
- 27 User selectable alarm tones
- High output



SPEZIFIKATIONEN / SPECIFICATIONS

MODEL	Ex SOUNDER EX SI 40
VOLTAGE	24 Volt DC nominal via suitable barrier
CURRENT	34 mA nominal
OUTPUT	110 dB(A)
ZONE	0, 1, 2
TONES	27
APPROVALS	ATEX Ex II IG, EExia IIC T4
CONSTRUCTION	GRP
IP RATING	IP65
TEMPERATURE	-55°C - +70°C
COLOURS	Red

Änderungen und Irrtümer vorbehalten | Rights reserved to change specifications without prior notice