

# LED BEACON

## WIRING AND OPERATION

**RED:** To +VDC

**BLACK:** To Chassis Ground (-)

**WHITE:** For Simultaneous or Alternating Flash

Group1 Units: (Wiring- WHITE connected to **RED**) will flash together  
 Group2 Units: (Wiring- WHITE not connected to **RED**) will flash together  
 (Group1 Units will alternate with Group2 Units)

**YELLOW:** Flash patterns & Synchronization

Connect **YELLOW** wires of all heads together for synchronization

\*All heads should be set at the same pattern

Momentarily apply +VDC to **YELLOW** wire:

- once for next pattern
- quick 3 times to reset

FP#	FLASH PATTERNS
1	Double [2Hz R65]
2	Single [2Hz]
3	Quad [2Hz]
4	Single [SAE]
5	Double [SAE]
6	Quad [SAE]
7	Quint [SAE]
8	Mega
9	Ultra [SAE]
10	Single-Quad
11	Single H/L

**Note:** i. This unit may not be factory-set at FP#1  
 ii. Actual approval based on the model ordered.

### 1. Open beacon

Twist dome counter clockwise **B**, then lift dome to open.

### 2. Change pattern

While activating Warning Mode, momentarily push the RED BUTTON **2** to change to the next flash pattern. (see Flash Patterns chart)



### 3. Close beacon

Twist and tighten the dome lens clockwise **C** to close.



### Dual Purpose Cigar Plug (for applicable models only):

When using models with dual purpose cigar plug, change the plug according to your actual socket by pushing in or out the red plastic frame.

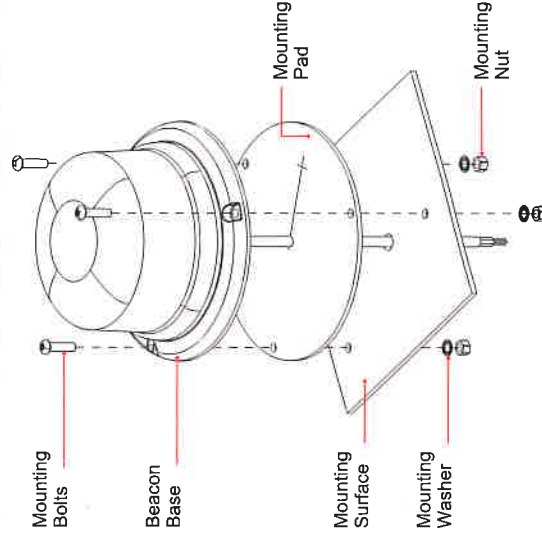


▲ for standard Cigar Lighter Socket



▲ for ISO4165 Socket

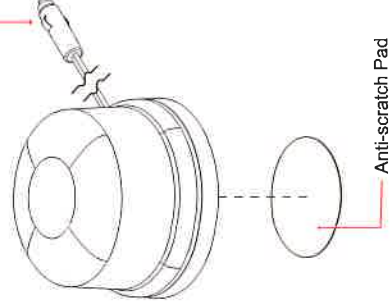
### 3 Bolt Mount



1. Drill holes on the mounting surface for the wire-exit and mounting bolts.
2. Secure the beacon onto the mounting surface with mounting bolts.

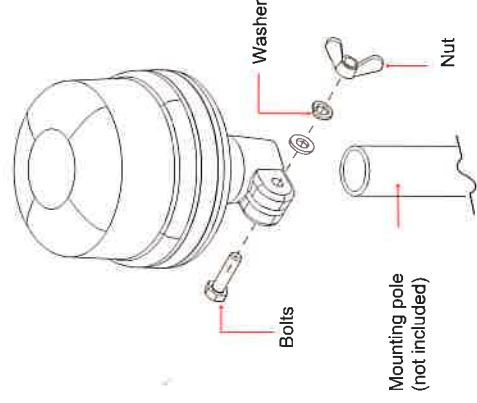
### Magnetic Mount

Power Plug  
 (Actual cigar plug type and cable type base on the model ordered.)



**WARNING:**  
 It is not recommended to use magnetically mounted warning devices on outside of vehicle in motion. Usage is at the sole risk and responsibility of the user. (For moving vehicles, please use Power Mags)

### DIN Pole Mount



**NOTE:** All diagrams may not show to scale.