

# SPECIFICATION

## FOR APPROVAL

Customer : \_\_\_\_\_

Description : Piezo Buzzer \_\_\_\_\_

Compro Model No. : PBF.43.024.1.U.BF \_\_\_\_\_

Customer's Model No. : \_\_\_\_\_

ISSUE	CHECK	APPROVAL	CUSTOMER
Tang Yi Jing 09/02/27	Evangelos Mpouras 09/05/06		

**Compro**<sup>®</sup>  
ELECTRONIC GMBH

Beim Alten Flugplatz 3  
49377 Vechta, Germany  
Tel: +49 (0) 4441/89112-50  
Fax: +49 (0) 4441/89112-55  
e-Mail: info@compro.de  
web: <http://www.compro.de>

# SPECIFICATIONS

Model No.

PBF.43.024.1.U.BF

Page

1/6

## 1. ELECTRICAL AND ACOUSTICAL SPECIFICATION

	Item	Specifications
1-1	Rated Voltage	12 V DC
1-2	Operating Voltage Range	6 – 28 V DC
1-3	Sound output at 1m (Cont.)	87 ±3 dB @ rated voltage
1-4	Sound Output at 1m (Pulse)	95 ±4 dB @ rated voltage
1-5	Rated Current (max.)	35 mA
1-6	Rated Frequency	2900 ±500 Hz
1-7	IP Protection	65 (front)
1-8	Operating Temperature	-30 ~ +70°C
1-9	Storage Temperature	-40 ~ +80°C
1-10	Housing Material	Black MPPO
1-11	Weight	43 g
1-12	Pin Material	Brass

	Description	Date	Issue		
		09/02/27	Tang Yi Jing	Evangelos Mpouras	

# SPECIFICATIONS

Model No.

PBF.43.024.1.U.BF

Page

2/6

## 2.RELIABILITY TEST

	Item	Specifications
2-1	High temp. Test	Keep 240 hours at $+85^{\circ}\text{C} \pm 2^{\circ}\text{C}$ and leave 2 hours in normal temperature and then check
2-2	Low temp. Test	Keep 240 hours at $-40^{\circ}\text{C} \pm 2^{\circ}\text{C}$ and leave 2 hours in normal temperature and then check
2-3	Humidity test	Keep 48 hours at $+40^{\circ}\text{C} \pm 3^{\circ}\text{C}$ relative humidity 90-95% and leave 2 hours in normal temperature and then checked.
2-4	Thermal cycle test.	Low temperature: $-40^{\circ}\text{C} \pm 3^{\circ}\text{C}$ 30min., temperature: $+20^{\circ}\text{C} \pm 3^{\circ}\text{C}$ 15min., temperature $+85^{\circ}\text{C}$ 30min., temperature $+20^{\circ}\text{C}$ 15min., cycle: 5 times without apply power, and then keep 2 hrs in normal room condition.
2-5	Vibration	10~55Hz sin-wave sweep 1,5mm. 0,3 to 9,3G X,Y,Z 3 direction. 2 hours each, total 6 hours.
2-6	Drop test	Free drop a unit from 70cm height to a board of 10mm thick ,total 3 times, one each direction X,Y,Z.
2-7	Soldarability Test	Soldering temperature: $260 \pm 5^{\circ}\text{C}$ , apply for $3 \pm 0,5$ sec.
2-8	Pin strength test	FORCE OF 9,8N APPLIED FOR 10 SECONDS TO EACH PIN, AXIAL

		09/02/27	Tang Yi Jing	Evangelos Mpouras	
Issue No	Description	Date	Issue	Check	Approval

COMPRO Electronic GmbH, Germany

# SPECIFICATIONS

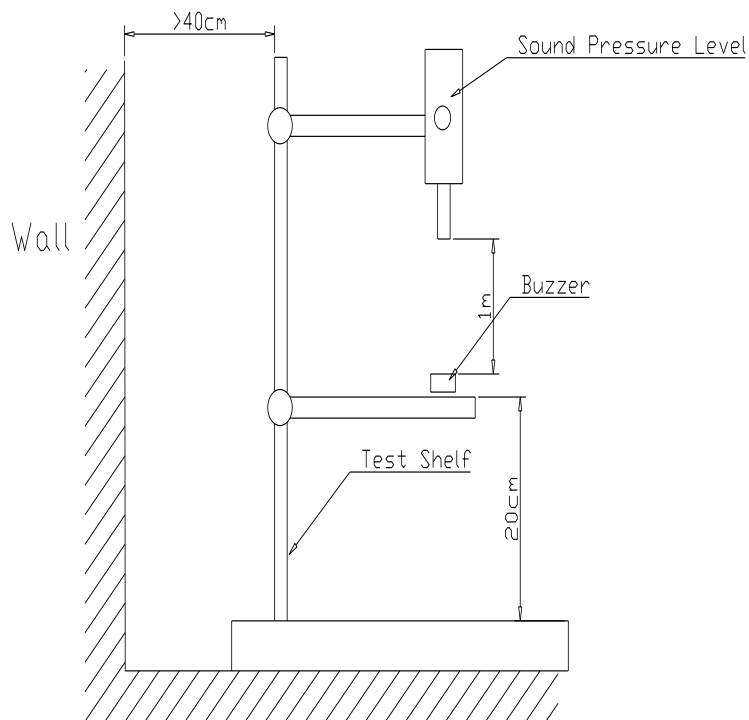
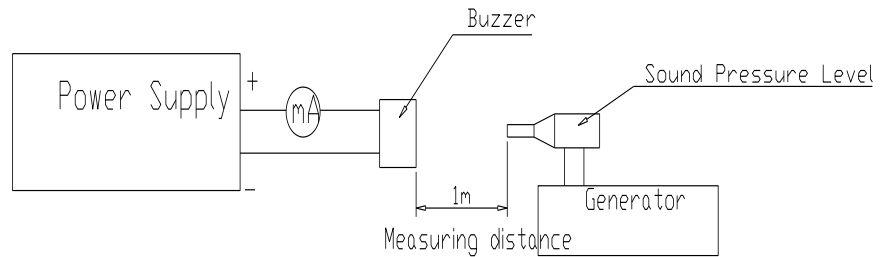
Model No.

PBF.43.024.1.U.BF

Page

3/6

## 3.MEASURING METHOD



		09/02/27	Tang Yi Jing	Evangelos Mpouras	
Issue No	Description	Date	Issue	Check	Approval

**COMPRO Electronic GmbH, Germany**

# SPECIFICATIONS

Model No.

PBF.43.024.1.U.BF

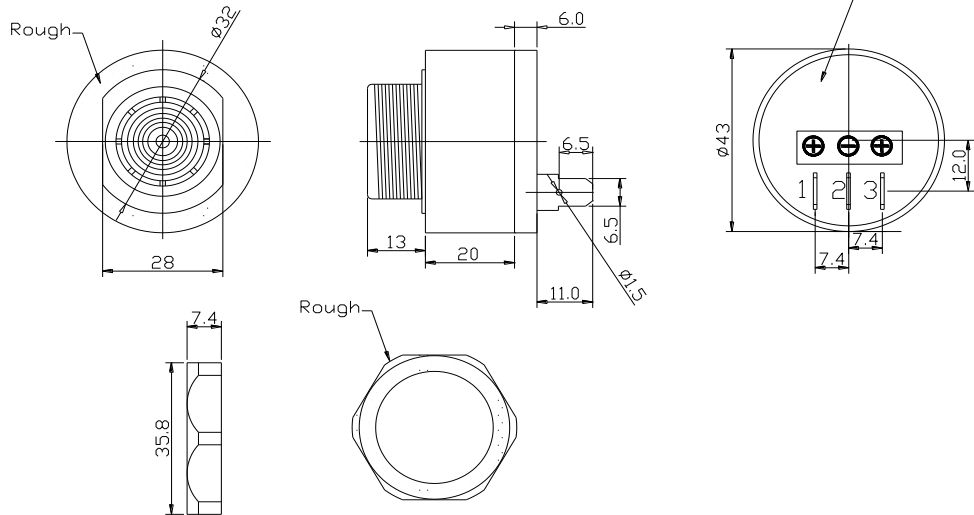
Page

4/6

## 4.APPEARANCE DRAWING

Unit:mm Tolerance:±0.5mm

PIN1 + PIN2 - Pulse Tone  
 PIN2 - PIN3 + Continuous Tone



		09/02/27	Tang Yi Jing	Evangelos Mpouras	
Issue No	Description	Date	Issue	Check	Approval

COMPRO Electronic GmbH, Germany

# SPECIFICATIONS

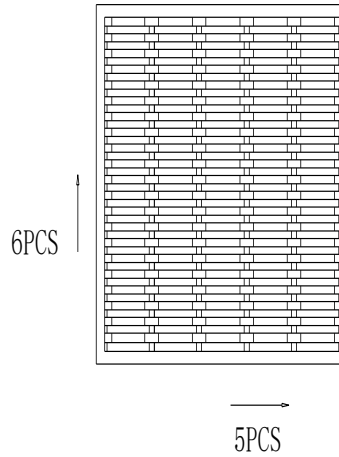
Model No.

PBF.43.024.1.U.BF

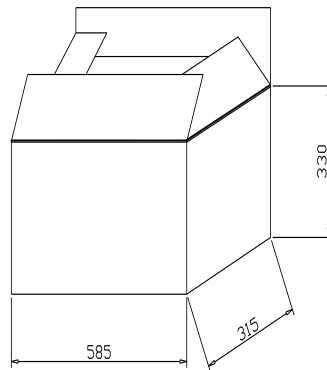
Page

5/6

## 5. PACKING



6? PCS=30PCS/box



300PCS/CTN

		09/02/27	Tang Yi Jing	Evangelos Mpouras	
Issue No	Description	Date	Issue	Check	Approval

**COMPRO Electronic GmbH, Germany**